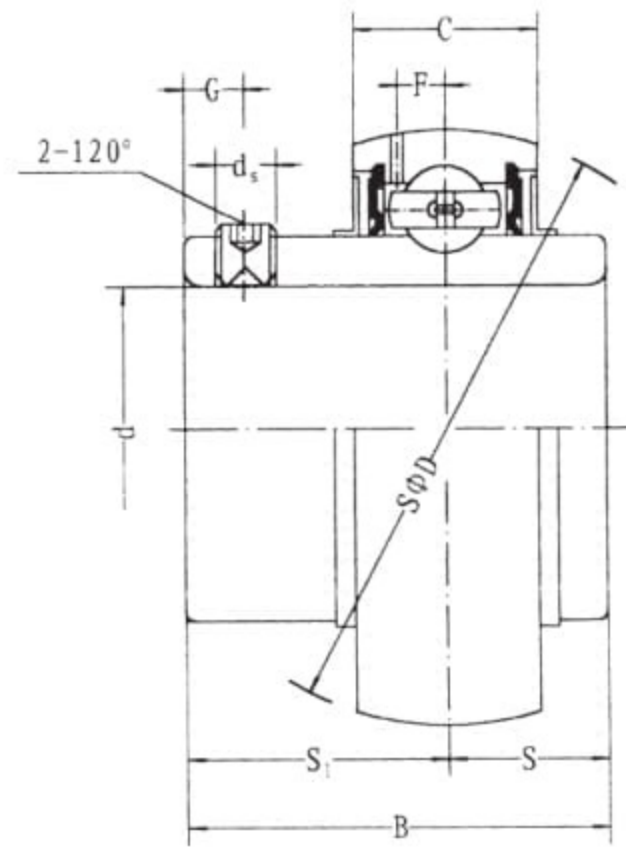


# TMS

## UC 2 Series

## Bearing Inserts



Bearing Unit / Insert

Bearing No.	Dimensions <small>mm inch</small>									Basic Load Rating (N)		Weight (kg)
	d	D	B	C	S	S <sub>1</sub>	G	d <sub>s</sub>	F	Dynamic	Static	
*UC 201	12	47	31	17	12.7	18.3	4.8	M6 x 1	3.7	9880	6200	0.20
*UC 201-8	3/4	1.8504	1.2205	0.6693	0.500	0.720	0.189	1/4-28UNF	0.146			0.19
*UC 202	15	47	31	17	12.7	18.3	4.8	M6 x 1	3.7	9880	6200	0.19
*UC 202-9	9/16	1.8504	1.2205	0.6693	0.500	0.720	0.189	1/4-28UNF	0.146			0.19
*UC 202-10	5/8											0.19
*UC 203	17	47	31	17	12.7	18.3	4.8	M6 x 1	3.7	9800	6200	0.18
*UC 203-11	11/16	1.8504	1.2205	0.6693	0.500	0.720	0.189	1/4-28UNF	0.146			0.17
*UC 204	20	47	31	17	12.7	18.3	4.8	M6 x 1	3.7	9800	6200	0.16
*UC 204-12	3/4	1.8504	1.2205	0.6693	0.500	0.720	0.189	1/4-28UNF	0.146			0.16
*UC 205	25	52	34.1	17	14.3	19.8	5	M6 x 1	3.9	10780	6980	0.20
*UC 205-13	13/16											0.24
*UC 205-14	7/8	2.00472	1.3425	0.6693	0.563	0.780	0.197	1/4-28UNF	0.154			0.23
*UC 205-15	15/16											0.21
*UC 205-16	1											0.20
*UC 206	30	62	38.1	19	15.9	22.2	5	M6 x 1	5.0			14970
*UC 206-17	1-1/16									0.33		
*UC 206-18	1-1/8	2.4409	1.5000	0.7480	0.626	0.874	0.197	1/4-28UNF	0.197	0.34		
*UC 206-19	1-3/16									0.32		
*UC 206-20	1-1/4									0.31		
*UC 207	35	72	42.9	20	17.5	25.4	7	M8 x 1	5.7	19750	13670	
*UC 207-20	1-1/4											0.54
*UC 207-21	1-5/16	2.8346	1.6890	0.7874	0.689	1.000	0.276	5/16-24UNF	0.224			0.51
*UC 207-22	1-3/8											0.48
*UC 207-23	1-7/16											0.45
*UC 208	40	80	49.2	21	19	30.2	8	M8 x 1	6.2			22710
*UC 208-24	1-1/2	3.1496	1.9370	0.8268	0.748	1.189	0.315	5/16-24UNF	0.244	0.68		
*UC 208-25	1-9/16									0.65		
*UC 209	45	85	49.2	22	19	30.2	8	M8 x 1	6.4	24360	17710	0.68
*UC 209-26	1-5/8											0.78
*UC 209-27	1-11/16	3.3465	1.9370	0.8661	0.748	1.189	0.315	5/16-24UNF	0.252			0.74
*UC 209-28	1-3/4											0.70
*UC 210	50	90	51.6	24	19	32.6	10	M10 x 1	6.5	26980	19840	0.80
*UC 210-29	1-13/16											0.92
*UC 210-30	1-7/8	3.5433	2.0315	0.9449	0.748	1.283	0.394	3/8-24UNF	0.256			0.87
*UC 210-31	1-15/16											0.82
*UC 210-32	2											0.78
*UC 211	55	100	55.6	25	22.2	33.4	10	M10 x 1	7.0	33370	25110	1.11
*UC 211-32	2											1.26
*UC 211-33	2-1/16											1.20
*UC 211-34	2-1/8	3.9370	2.1890	0.9843	0.874	1.315	0.394	3/8-24UNF	0.276			1.15
*UC 211-35	2-3/16											1.09
*UC 212	60	110	65.1	27	25.4	39.7	10	M10 x 1	7.6			36740
*UC 212-36	2-1/4									1.67		
*UC 212-37	2-5/16	4.3307	2.5630	1.0630	1.000	1.563	0.394	3/8-24UNF	0.299	1.59		
*UC 212-38	2-3/8									1.52		
*UC 212-39	2-7/16									1.45		
UC 213	65	120	65.1	28	25.4	39.7	10	M10 x 1	8.5	44010	34180	1.85
UC 213-40	2-1/2	4.3307	2.5630	1.1024	1.000	1.563	0.394	3/8-24UNF	0.335			1.94
UC 213-41	2-9/16											1.85
UC 214	70	125	74.6	29	30.2	44.4	12	M12 x 1.5	8.9	46790	37590	2.05
UC 214-42	2-5/8											2.26
UC 214-43	2-11/16	4.9213	2.9370	1.1417	1.189	1.748	0.472	7/16-20UNF	0.350			2.16
UC 214-44	2-3/4											2.06
UC 215	75	130	77.8	30	33.3	44.5	12	M12 x 1.5	9.2	50850	41260	2.21
UC 215-45	2-13/16											2.46
UC 215-46	2-7/8	5.1181	3.0630	1.1811	1.311	1.752	0.472	7/16-20UNF	0.362			2.35
UC 215-47	2-15/16											2.24
UC 215-48	3											2.12
UC 216	80	140	82.6	32	33.3	49.3	12	M12 x 1.5	9.5	55040	45090	2.80
UC 216-49	3-1/16											2.98
UC 216-50	3-1/8	5.5118	3.2520	1.2598	1.311	1.9409	0.472	7/16-20UNF	0.374			2.85
UC 216-51	3-3/16											2.72
UC 217	85	150	85.7	34	34.1	51.6	12	M12 x 1.5	10.2			64010
UC 217-52	3-1/4									3.68		
UC 217-53	3-5/16	5.9055	3.3740	1.3386	1.343	2.031	0.472	7/16-20UNF	0.402	3.54		
UC 217-55	3-7/16									3.25		
UC 218	90	160	96	36	39.7	56.3	12	M12 x 1.5	11.2	73830	60760	
UC 218-56	3-1/2	6.2992	3.7795	1.4173	1.5630	2.217	0.472	1/2-20UNF	0.441			4.47

\* Add SS in front of the bearing no. for stainless steel bearing. (Eg. SSUC 205)