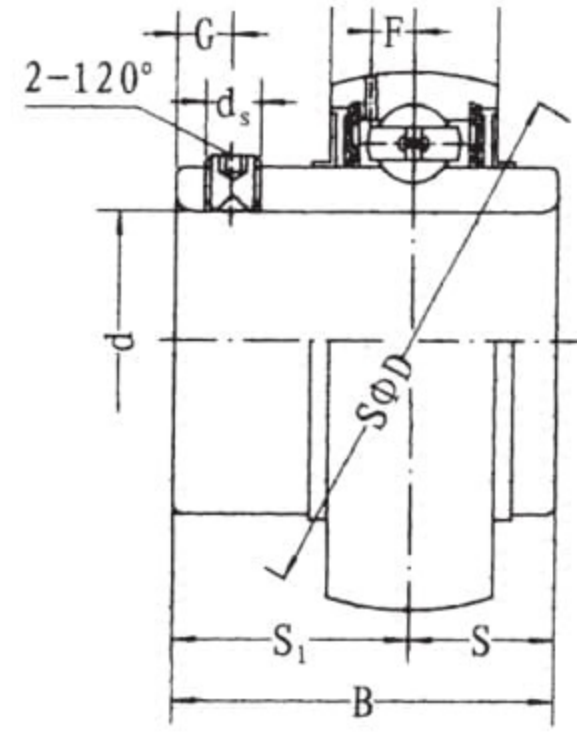


THS

UC 3 Series

Bearing Inserts



Bearing Unit / Insert

Unit No.	Dimensions <small>mm inch</small>									Basic Load Rating (N)		Weight (kg)
	d	D	B	C	S	S ₁	G	d _s	F	Dynamic	Static	
UC 305	25	62	38	20	15	23	6	M6 x 1	5.4			0.35
UC 305-13	13/16											0.40
UC 305-14	7/8	2.4409	1.4961	0.7874	0.591	0.906	0.236	1/4-28 UNF	0.213	17220	11930	0.38
UC 305-15	1											0.36
UC 305-16												0.35
UC 306	30	72	43	23	17	26	6	M6 x 1	5.7			0.56
UC 306-17	1-1/16											0.61
UC 306-18	1-1/8	2.8346	1.6929	0.9055	0.669	1.024	0.236	1/4-28 UNF	0.225	20770	14170	0.58
UC 306-19	1-3/16											0.56
UC 307	35	80	48	25	19	29	8	M8 x 1	6.2			0.71
UC 307-20	1-1/4											0.77
UC 307-21	1-5/16	3.1496	1.8898	0.9843	0.748	1.142	0.315	5/16-24 UNF	0.224	25660	17920	0.74
UC 307-22	1-1/8											0.71
UC 307-23	1-7/16											0.68
UC 308	40	90	52	27	19	33	10	M10 x 1	7.0			0.96
UC 308-24	1-1/2	3.5433	2.0472	1.0630	0.748	1.299	0.394	3/8-24 UNF	0.276	31350	22380	1.01
UC 308-25	1-9/16											0.97
UC 309	45	100	57	30	22	35	10	M10 x 1	7.8			1.28
UC 309-26	1-5/8											1.39
UC 309-27	1-11/16	3.9370	2.2441	1.1811	0.866	1.378	0.394	3/8-24 UNF	0.307	40660	30000	1.35
UC 309-28	1-3/4											1.30
UC 310	50	110	61	32	22	39	12	M12 x 1.5	8.5			1.65
UC 310-29	1-13/16											1.97
UC 310-30	1-7/8	4.3307	2.4016	1.2598	0.866	1.535	0.472	1/2-20 UNF	0.335	47580	35710	1.74
UC 310-31	1-15/16											1.68
UC 311	55	120	66	34	25	41	12	M12 x 1.5	9.2			2.07
UC 311-32	2											2.25
UC 311-33	2-1/16	4.7244	2.5984	1.3386	0.984	1.614	0.472	1/2-20 UNF	0.362	55050	41910	2.18
UC 311-34	2-1/8											2.12
UC 311-35	2-3/16											2.04
UC 312	60	130	71	36	26	45	12	M12 x 1.5	9.8			2.60
UC 312-36	2-1/4											2.75
UC 312-37	2-5/16	5.1181	2.7953	1.4173	1.0236	1.772	0.472	1/2-20 UNF	0.386	62880	48600	2.67
UC 312-38	2-3/8											2.58
UC 312-39	2-7/16											2.50
UC 316	80	170	86	44	34	52	14	M14 x 1.5	12.5			5.55
UC 316-49	3-1/16											5.72
UC 316-50	3-1/8	6.6929	3.3858	1.7323	1.339	2.047	0.551	9/16-18 UNF	0.492	94570	80350	5.58
UC 316-51	3-3/16											5.49
UC 317	85	180	96	46	40	56	16	M16 x 1.5	13.1			6.67
UC 317-52	3-1/4											6.89
UC 317-53	3-5/16	7.0866	3.7795	1.8110	1.575	2.205	0.630	5/8-18 UNF	0.516	102050	89520	3.67
UC 317-55	3-7/16											6.44
UC 318	90	190	96	48	40	56	16	M16 x 1.5	13.8			7.56
UC 318-55	3-7/16	7.4803	3.7795	1.8898	1.575	2.205	0.630	5/8-18 UNF	0.543	110810	100760	7.85
UC 318-56	3-1/2											7.67
UC 319	95	200	103	50	41	62	16	M16 x 1.5	14.7			8.70
UC 319-58	3-5/8											9.03
UC 319-59	3-11/16	7.8740	4.0551	1.9585	1.614	2.441	0.630	5/8-18 UNF	0.579	120510	103750	8.85
UC 319-60	3-3/4											8.66
UC 320	100	215	108	54	42	66	20	M18 x 1.5	15.7			11.18
UC 320-64	4	8.4646	4.2519	2.2160	1.6535	2.5984	0.7874		0.618	170630	137260	11.09