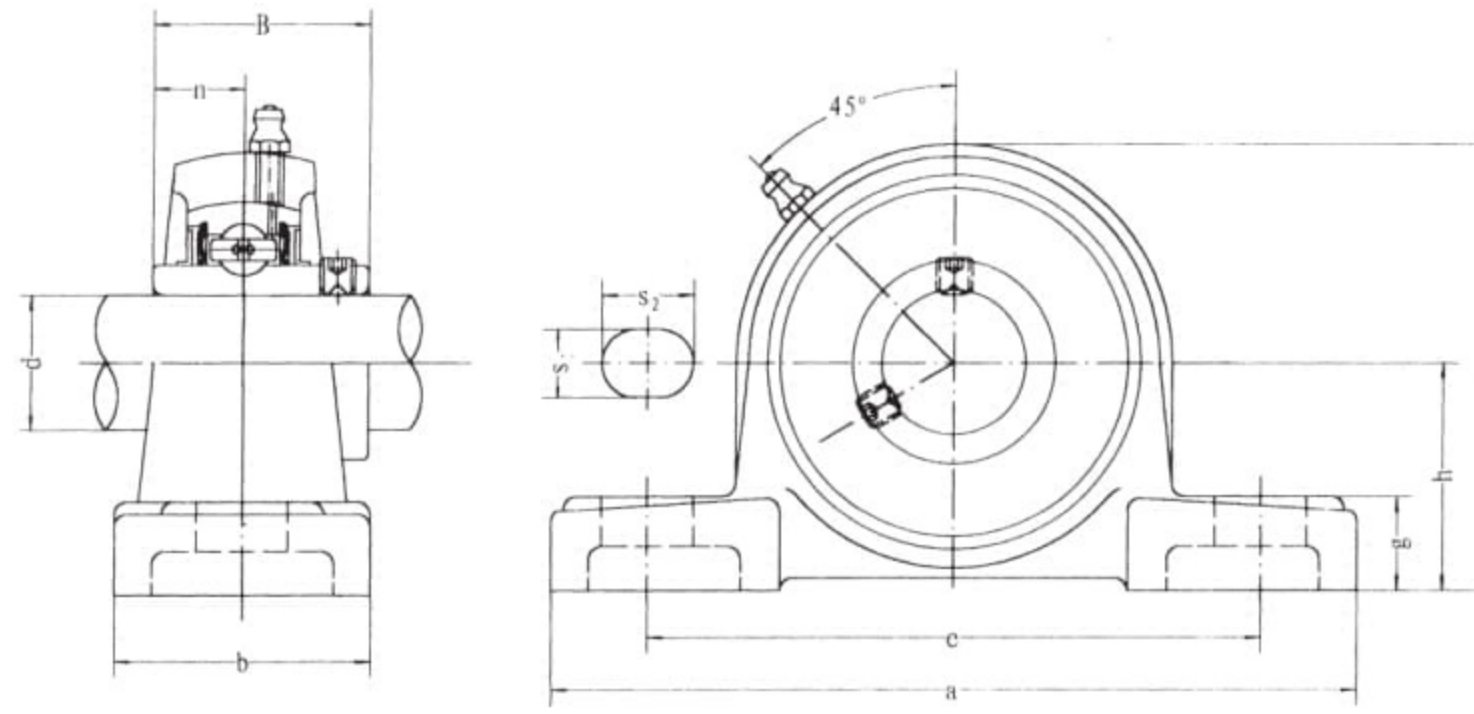




TMS

UCP 2 Series

Pillow Blocks



Bearing Unit / Insert

Unit No.	Dimensions <small>mm inch</small>											Bolt Size <small>mm inch</small>	Bearing No.	Housing No.	Weight (kg)
	d	h	a	e	b	S ₁	S ₂	g	w	B	n				
*UCP 201	12	30.2	127	95	38	13	19	14	62	31	12.7	M10	UC 201	P203	0.69
*UCP 201-8	3/4	1-3/16	5	3-3/4	1-1/2	1/2	3/4	9/16	2-7/16	1.2205	0.500	3/8	UC 201-8		0.69
*UCP 202	15	30.2	127	95	38	13	19	14	62	31	12.7	M10	UC 202	P203	0.69
*UCP 202-9	9/16	1-3/16	5	3-3/4	1-1/2	1/2	3/4	9/16	2-7/16	1.2205	0.500	3/8	UC 202-9		0.69
*UCP 202-10	5/8												UC 202-10	0.69	
*UCP 203	17	30.2	127	95	38	13	19	14	62	31	12.7	M10	UC 203	P203	0.68
*UCP 203-11	11/16	1-3/16	5	3-3/4	1-1/2	1/2	3/4	9/16	2-7/16	1.2205	0.500	3/8	UC 203-11		0.67
*UCP 204	20	33.3	127	95	38	13	19	14	65	31	12.7	M10	UC 204	P204	0.66
*UCP 204-12	3/4	1-5/16	5	3-3/4	1-1/2	1/2	3/4	9/16	2-9/16	1.2205	0.500	3/8	UC 204-12		0.66
*UCP 205	25	36.5	140	105	38	13	19	15	71	34.1	14.3	M10	UC 205	P205	0.81
*UCP 205-13	13/16												UC 205-13		0.85
*UCP 205-14	7/8	1-7/16	5-1/2	4-1/8	1-1/2	1/2	3/4	19/32	2-25/32	1.3425	0.563	3/8	UC 205-14		0.83
*UCP 205-15	15/16												UC 205-15		0.82
*UCP 205-16	1												UC 205-16	0.81	
*UCP 206	30	42.9	165	121	48	17	20	17	84	38.1	15.9	M14	UC 206	P206	1.24
*UCP 206-17	1-1/16												UC 206-17		1.27
*UCP 206-18	1-1/8	1-11/16	6-1/2	4-3/4	1-7/8	43/64	25/32	21/32	3-5/16	1.5000	0.626	1/2	UC 206-18		1.26
*UCP 206-19	1-3/16												UC 206-19		1.24
*UCP 206-20	1-1/14												UC 206-20	1.23	
*UCP 207	35	47.6	167	127	48	17	20	18	93	42.9	17.5	M14	UC 207	P207	1.58
*UCP 207-20	1-1/4												UC 207-20		1.64
*UCP 207-21	1-5/16	1-7/8	6-9/16	5	1-7/8	43/64	25/32	45/64	3-21/32	1.6890	0.689	1/2	UC 207-21		1.61
*UCP 207-22	1-3/8												UC 207-22		1.58
*UCP 207-23	1-7/16												UC 207-23	1.55	
*UCP 208	40	49.2	184	137	54	17	20	18	100	49.2	19	M14	UC 208	P208	1.89
*UCP 209-24	1-1/2	1-15/16	7-1/4	5-13/32	2-1/8	43/64	25/32	45/64	3-15/16	1.9370	0.748	1/2	UC 208-24		1.93
*UCP 208-25	1-9/16												UC 208-25		1.90
*UCP 209	45	54.0	190	146	54	17	20	20	106	49.2	19	M14	UC 209	P209	2.14
*UCP 209-26	1-5/8												UC 209-26		2.24
*UCP 209-27	1-11/16	2-1/8	7-15/32	5-3/4	2-1/8	43/64	25/32	4-11/64	1.9370	0.748	1/2	UC 209-27	2.20		
*UCP 209-28	1-3/4												UC 209-28		2.14
*UCP 210	50	57.2	206	159	60	20	23	21	113	51.6	19	M16	UC 210	P210	2.66
*UCP 210-29	1-13/16												UC 210-29		2.78
*UCP 210-30	1-7/8	2-1/4	8-1/8	6-1/4	2-3/8	25/32	29/32	53/64	4-29/64	2.0315	0.748	5/8	UC 210-30		2.73
*UCP 210-31	1-15/16												UC 210-31		2.68
*UCP 210-32	2												UC 210-32	2.64	
*UCP 211	55	63.5	219	171	60	20	23	23	125	55.6	22.2	M16	UC 211	P211	3.31
*UCP 211-32	2												UC 211-32		3.46
*UCP 211-33	2-1/16	2-1/2	8-5/8	6-47/64	2-3/8	25/32	29/32	29/32	4-59/64	2.1890	0.874	5/8	UC 211-33		3.40
*UCP 211-34	2-1/8												UC 211-34		3.35
*UCP 211-35	2-3/16												UC 211-35	3.29	
*UCP 212	60	69.8	241	184	70	20	23	25	138	65.1	25.4	M16	UC 212	P212	4.90
*UCP 212-36	2-1/4												UC 212-36		5.03
*UCP 212-37	2-5/16	2-3/4	9-1/2	7-1/4	2-3/4	25/32	29/32	63/64	5-7/16	2.5630	1.000	5/8	UC 212-37		4.95
*UCP 212-38	2-3/8												UC 212-38		4.88
*UCP 212-39	2-7/16												UC 212-39	1.81	
UCP 213	65	76.2	265	203	70	25	28	27	150	65.1	25.4	M20	UC 213	P213	5.15
UCP 213-40	2-1/2	3	10-7/16	8	2-3/4	63/64	1-3/32	1-1/16	5-29/32	2.5630	1.000	3/4	UC 213-40		5.24
UCP 213-41	2-9/16												UC 213-41		5.15
UCP 214	70	79.4	266	210	72	25	28	27	156	74.6	30.2	M20	UC 214	P214	6.20
UCP 214-42	2-5/8												UC 214-42		6.41
UCP 214-43	2-1/16	3-1/8	10-15/32	8-17/64	2-27/32	63/64	1-3/32	1-1/16	6-9/64	2.9370	1.189	3/4	UC 214-43		6.31
UCP 214-44	2-3/4												UC 214-44		6.21
UCP 215	75	82.6	275	217	74	25	28	28	162	77.8	33.3	M20	UC 215	P215	7.16
UCP 215-45	2-13/16												UC 215-45		7.41
UCP 215-46	2-7/8	3-1/4	10-53/64	8-35/64	2-29/32	63/64	1-3/32	1-3/32	6-3/8	3.0630	1.311	3/4	UC 215-46		7.30
UCP 215-47	2-15/16												UC 215-47		7.19
UCP 215-48	3												UC 215-48	7.07	
UCP 216	80	88.9	292	232	78	25	28	30	174	82.6	33.3	M20	UC 216	P216	8.10
UCP 216-49	3-1/16												UC 216-49		8.28
UCP 216-50	3-1/8	3-1/2	11-1/2	9-1/8	3-1/16	63/64	1-3/32	1-3/16	6-27/32	3.2520	1.311	3/4	UC 216-50		8.15
UCP 216-51	3-3/16												UC 216-51		8.02
UCP 217	85	95.2	310	247	83	25	28	32	185	85.7	34.1	M20	UC 217	P217	9.81
UCP 217-52	3-1/4												UC 217-52		10.03
UCP 217-53	3-5/16	3-3/4	12-13/64	9-23/32	3-17/64	63/64	1-3/32	1-1/4	7-9/32	3.3740	1.343	3/4	UC 217-53		9.89
UCP 217-55	3-7/16												UC 217-55		9.60
UCP 218	90	101.6	327	262	88	27	30	33	198	96	39.7	M22	UC 218	P218	11.96
UCP 218-56	3-1/2	4	12-7/8	10-5/16	3-15/32	1-1/16	1-3/16	1-19/64	7-51/64	3.7795	1.5630	7/8	UC 218-56		12.07

- * Add SS in front of the Unit No for Stainless Steel Bearing and Housing with plastic cover (Eg. SS UCP 205)
- * Add SP in front of the Unit No for Stainless Steel Bearing with Thermo-Plastic Housing (Eg. SP UCP 205)

Add C as suffix for both side Open cover (Eg. SP UCP 205 C)
or CD as suffix for one side Open & one side Closed cover (Eg. SP UCP 205 CD)