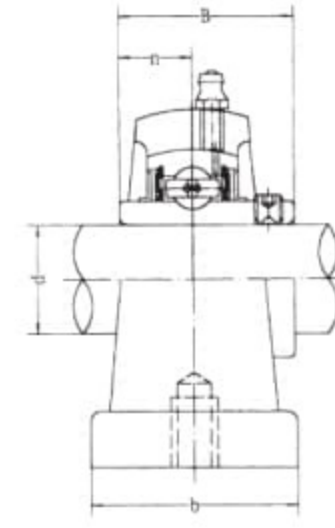
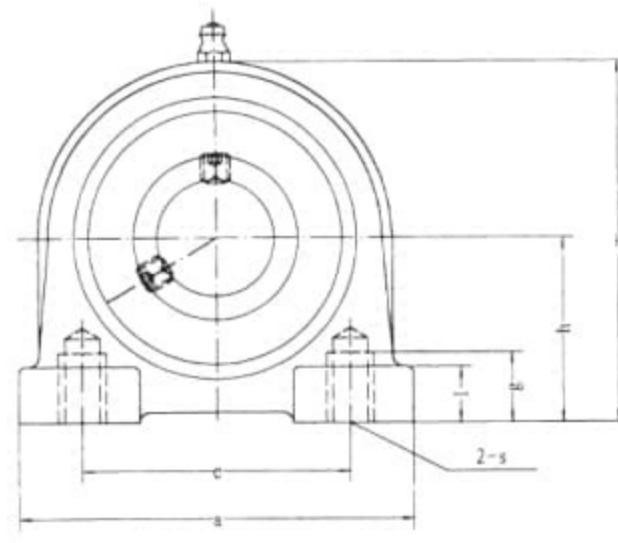


Pillow Blocks

UCPA 2 Series



Bearing Unit / Insert

Unit No.	Dimensions <small>mm inch</small>											Bolt Size <small>mm inch</small>	Bearing No.	Housing No.	Weight (kg)
	d	h	a	e	b	S1	S2	g	w	B	n				
UCPA 201	12	30.2	76	52	40		15	11	62	31	12.7		UC 201		0.6
UCPA 201-8	3/4												UC 201-8		0.59
UCPA 202	15												UC 202		0.59
UCPA 202-9	9/16												UC 202-9		0.59
UCPA 202-10	5/8	1-3/16	3	2-3/64	1-9/16	M10	19/32	7/16	2-7/16	1.2205	0.500	M10	UC 202-10	PA204	0.59
UCPA 203	17												UC 203		0.58
UCPA 203-11	11/16												UC 203-11		0.57
UCPA 204	20												UC 204		0.56
UCPA 204-12	3/4												UC 204-12		0.56
UCPA 205	25	36.5	84	56	38		15	12	72	34.1	14.3		UC 205		0.83
UCPA 205-13	13/16												UC 205-13		0.87
UCPA 205-14	7/8	1-7/16	3-5/16	2-13/64	1-1/2	M10	19/32	15/32	2-53/64	1.3425	0.563	M10	UC 205-14	PA205	0.86
UCPA 205-15	15/16												UC 205-15		0.84
UCPA 205-16	1												UC 206-16		0.83
UCPA 206	30	42.9	94	66	50		18	12	84	38.1	15.9		UC 206		1.12
UCPA 206-17	1-1/16												UC 206-17		1.15
UCPA 206-18	1-1/8	1-11/16	3-45/64	2-19/32	1-31/32	M14	45/64	15/32	3-5/16	1.5000	0.626	M14	UC 206-18	PA206	1.14
UCPA 206-19	1-3/16												UC 206-19		1.12
UCPA 206-20	1-1/4												UC 206-20		1.11
UCPA 207	35	47.6	110	80	55		20	13	95	42.9	17.5		UC 207		1.48
UCPA 207-20	1-1/4												UC 207-20		1.54
UCPA 207-21	1-5/16	1-7/8	4-21/64	3-5/32	2-11/64	M14	25/32	33/64	3-47/64	1.6890	0.689	M14	UC 207-21	PA207	1.51
UCPA 207-22	1-3/8												UC 207-22		1.48
UCPA 207-23	1-7/16												UC 207-23		1.45
UCPA 208	40	49.2	116	84	58		20	13	100	49.2	19		UC 208		1.89
UCPA 208-24	1-1/2	1-15/16	4-9/16	3-5/16	2-9/32	M14	25/32	33/64	3-15/16	1.9370	0.748	M14	UC 208-24	PA208	1.93
UCPA 208-25	1-9/16												UC 208-25		1.90
UCPA 209	45	54.2	120	90	60		25	13	108	49.2	19		UC 209		1.98
UCPA 209-26	1-5/8												UC 209-26		2.08
UCPA 209-27	1-11/16	2-9/64	4-23/32	3-35/64	2-23/64	M14	63/64	33/64	4-1/4	1.9370	0.748	M14	UC 209-27	PA209	2.04
UCPA 209-28	1-3/4												UC 209-28		2.00
UCPA 210	50	57.2	130	94	64		25	14	116	51.6	19		UC 210		2.16
UCPA 210-29	1-13/16												UC 210-29		2.28
UCPA 210-30	1-7/8	2-1/4	5-1/8	3-45/64	2-33/64	M16	63/64	35/64	4-9/16	2.0315	0.748	M16	UC 210-30	PA210	2.23
UCPA 210-31	1-15/16												UC 210-31		2.18
UCPA 210-32	2												UC 210-32		2.14
UCPA 211	55	63.5	140	104	66		25	14	125	55.6	22.2		UC 211		3.26
UCPA 211-32	2												UC 211-32		3.41
UCPA 211-33	2-11/16	2-1/2	5-33/64	4-3/32	2-19/32	M16	63/64	35/64	4-59/64	2.1890	0.874	M16	UC 211-33	PA211	3.35
UCPA 211-34	2-1/8												UC 211-34		3.30
UCPA 211-35	2-3/16												UC 211-35		3.24
UCPA 212	60	69.9	150	114	68		25	15	138	65.1	25.4		UC 212		4.19
UCPA 212-36	2-1/4												UC 212-36		4.32
UCPA 212-37	2-5/16	2-3/4	5-29/32	4-31/64	2-43/64	M16	63/64	19/32	5-7/16	2.5630	1.000	M16	UC 212-37	PA212	4.24
UCPA 212-38	2-3/8												UC 212-38		4.17
UCPA 212-39	2-7/16												UC 212-39		4.10
UCPA 213	65	76.2	160	124	70		25	15	150	65.1	25.4		UC 213		6.23
UCPA 213-40	2-1/2	3	6-19/64	4-7/8	2-3/4	M16	63/64	19/32	5-29/32	2.5630	1.000	M16	UC 213-40	PA213	6.31
UCPA 213-41	2-9/16												UC 213-41		6.17